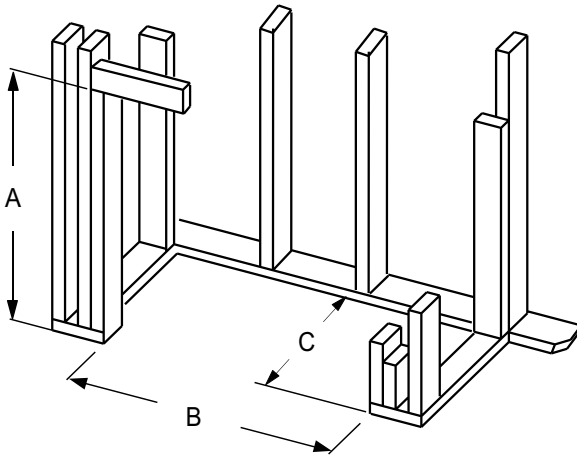


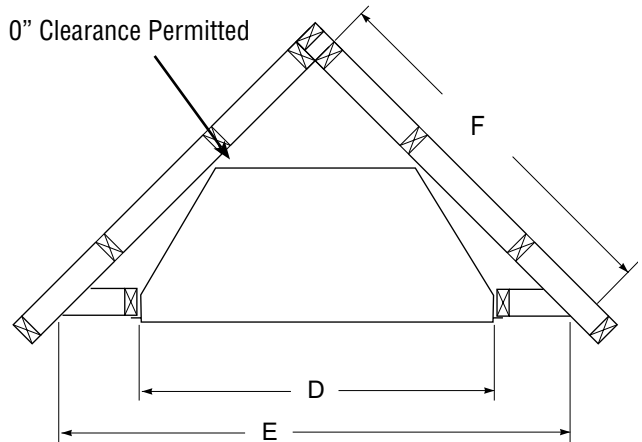
# VRT3036 AND VCT3036

## VENT-FREE FIREPLACES

Framing Dimensions



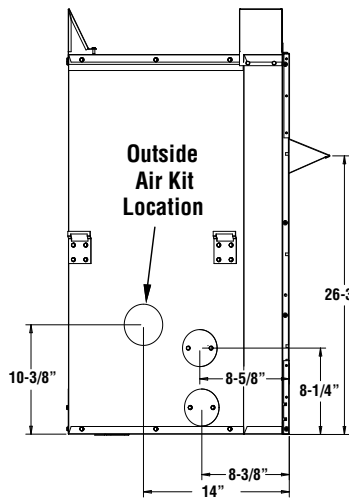
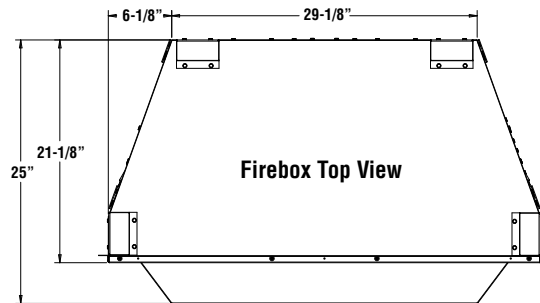
0" Clearance Permitted



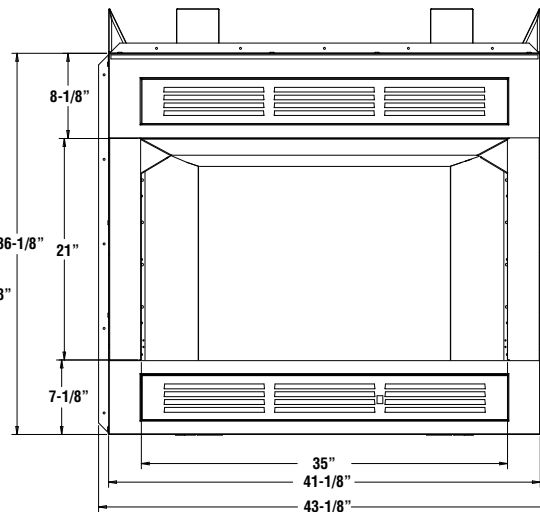
Models	A	B	C
36" Models	40-1/4" 1023 mm	41-3/8" 1051 mm	21-1/8" 537 mm

Models	D	E	F
36" Models	41-3/8" 1051 mm	71-1/4" 1810mm	50-3/8" 1280 mm

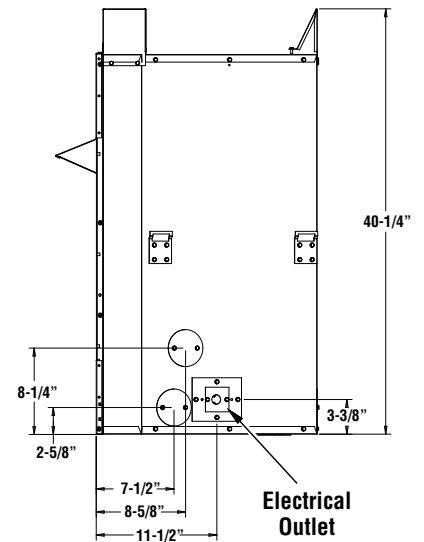
Fireplace Dimensions



**Left Side View**



**Front View**



**Right Side View**

*Diagrams, illustrations and photographs are not to scale. Consult installation instructions. Product designs, materials, dimensions, specifications, colors, and prices are subject to change or discontinuance without notice.*

NOTE: DIAGRAMS & ILLUSTRATIONS ARE NOT TO SCALE.

# VRT3036 AND VCT3036

Product Information

Cat. #	Model	Type	Interior	Weight	Cu. Ft.
F0304	VRT3036B	Radiant	Black Interior	184 lb.	32.4
F0305	VCT3036B	Louvered	Black Interior	184 lb.	32.4
F0310	VRT3036WS	Radiant	WS refractory	184 lb.	32.4
F0311	VCT3036WS	Louvered	WS refractory	184 lb.	32.4
F0312	VRT3036RS	Radiant	RS refractory	184 lb.	32.4
F0313	VCT3036RS	Louvered	RS refractory	184 lb.	32.4
F0314	VRT3036RH	Radiant	RH refractory	184 lb.	32.4
F0315	VCT3036RH	Louvered	RH refractory	184 lb.	32.4

Listing Information

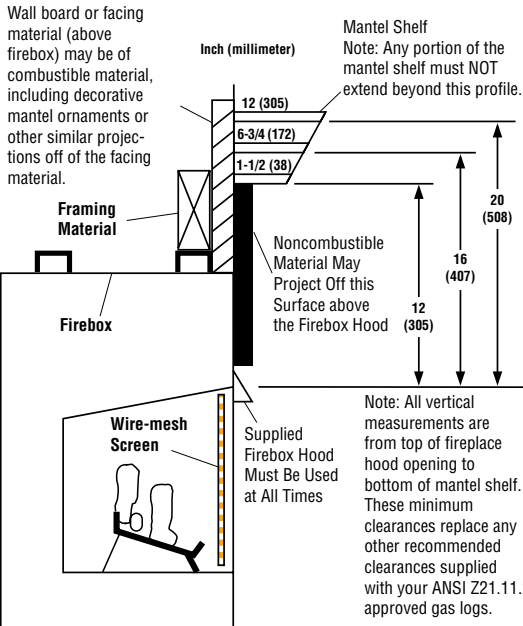


Report No. F12-020

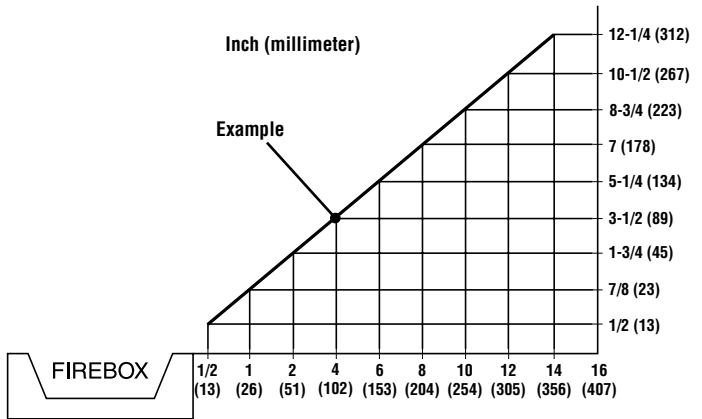
These appliances comply with National Safety Standards and are listed by PFS Corporation to ANSI Z21.91 Ventless Firebox Enclosures for Gas-Fired Unvented Decorative Room Heaters and is approved for use with appliances listed to ANSI Z21.11.2 decorative type unvented room heaters.

Clearances

## Mantel Clearance



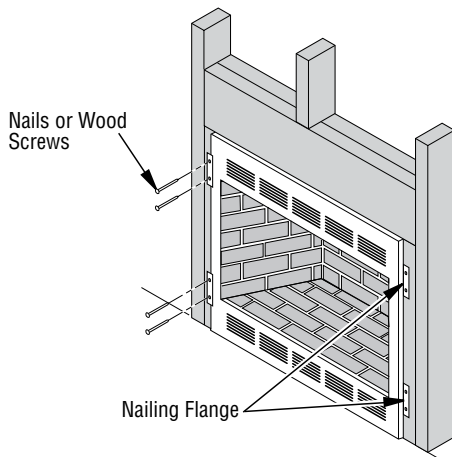
Mantel from Top of Opening	→	Mantel Depth Allowed
12" (305 mm)	→	1-1/2" (38 mm) max.
16" (407 mm)	→	6-3/4" (172 mm) max.
20" (508 mm)	→	12" (305 mm) max.



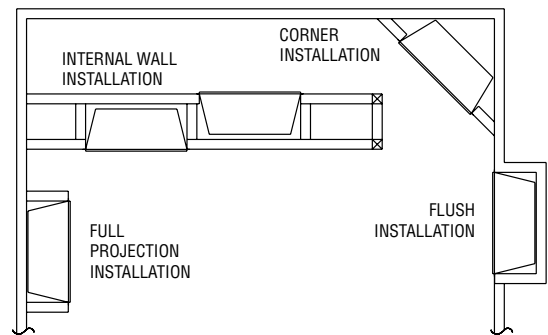
## Minimum Wall and Ceiling Clearances

- Clearances from the side of the fireplace cabinet to any combustible material and wall should follow diagram shown here.  
Example: The face of a mantel, bookshelf, etc. is made of combustible material and protrudes 3-1/2" from the wall. This combustible material must be 4" from the side of the fireplace cabinet.
- Clearances from the top of the firebox opening to the ceiling should not be less than 42".
- When the firebox is installed directly on carpeting, vinyl tile or other combustible material, other than wood flooring, the firebox should be installed on a metal or wood panel extending the full width and depth of the enclosure.
- Clearances from the bottom of firebox to the floor is 0".

Nailing Flanges



Typical Locations



NOTE: DIAGRAMS & ILLUSTRATIONS ARE NOT TO SCALE.

Specifications and clearances are subject to change without notice. Refer to Installation and Operation Manual before installation of these appliances for updated dimensions and instructions.