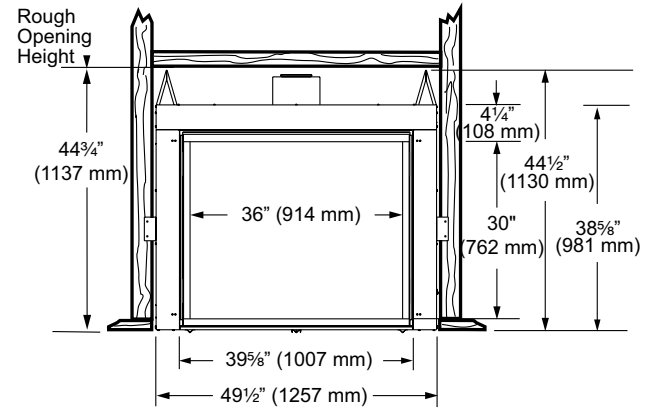
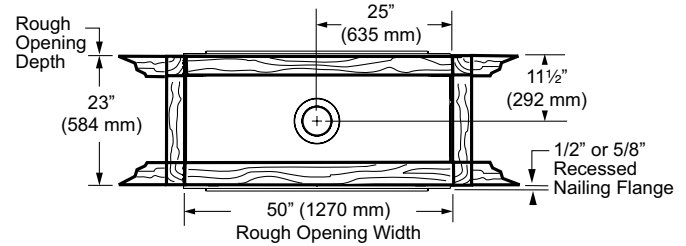


PRODUCT SPECIFICATIONS

KSTDVP Marquis Clear View See-Through Direct Vent Fireplace System



FRAMING DIMENSIONS



ACTUAL DIMENSIONS

Actual size: 39 5/8" W x 38 5/8" H x 24" D
(1007 mm x 981 mm x 610 mm)

Viewing area: 36" W x 30" H
(914 mm x 762 mm)

Framing Dimensions: 50" W x 44 3/4" H x 23"D
(1270 mm x 1137 mm x 584 mm)

FIELD INSTALLED ACCESSORIES

- Accent lighting with 3 step dimming standard
- Stainless steel outdoor Glass Kit (install before framing)
- Four liners to choose from: Cottage Clay, Tavern Brown, Vintage Brown Herringbone, and Olde English Herringbone
- Variable Remote Controlled Forced Air Blower BLOTKSTSC (2 needed if forced air out both sides is required)
- Field Fuel Conversion Kits
- 15' Command Center Wall Mount Extension Wire
- Safety Screen Barrier Included

