

PRODUCT SPECIFICATIONS

BE42 Royalton Radiant Wood Burning Fireplace



DIMENSIONS

Actual size: 47" W x 39½" H x 21⅝" D x 29¾" RW
(1194 mm x 1003 mm x 543 mm x 756 mm)

Viewing area: 42" W x 21" H (882 sq. in.)
(1067 mm X 533 mm, 5691 cm²)

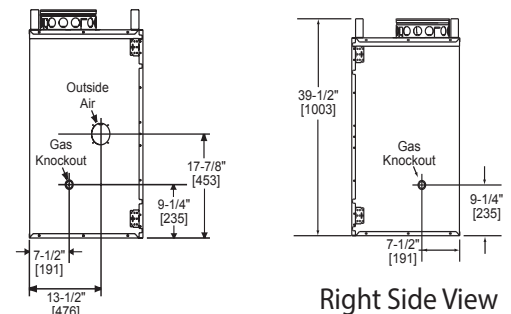
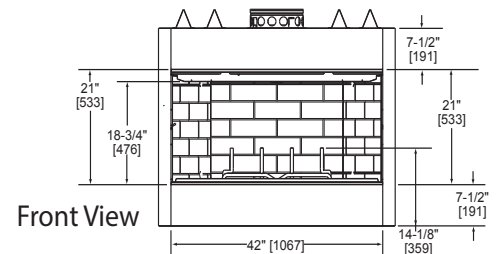
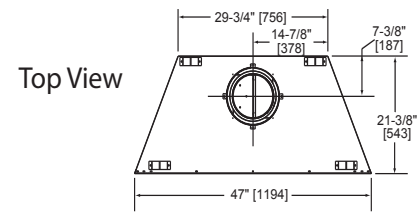
Framing Dimensions: 48" W x 39¾" H x 21½" D
(1219 mm x 1010 mm x 546 mm)

STANDARD FEATURES

- Uninsulated radiant fireplace
- Traditional full refractory lining
- Powder coated finish
- Safety firescreen
- Dual gas knockouts
- Steel grate
- Front access damper handle
- Attic insulation shield standard
- Ash lip
- UL/ULC Listed

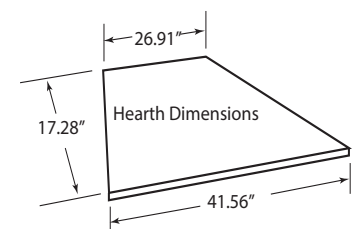
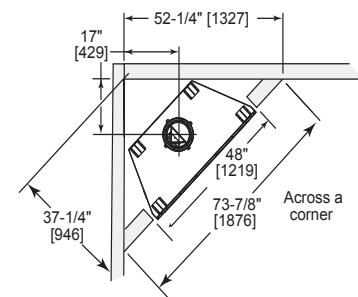
OPTIONAL FIELD INSTALLED ACCESSORIES

- Bi-fold glass doors with Black trim (DM1042) or Stainless trim (DM1042S)
- SL300 series termination caps
- Heat wrap insulated blanket (HW8040)
- 4" insulated flex duct for outside air (ID4)
- 4" uninsulated flex duct for outside air (UD4)
- Chimney air kit (CAK4A)(required in Canada)
- Outside air kit (AK24m)



Left Side View

Right Side View

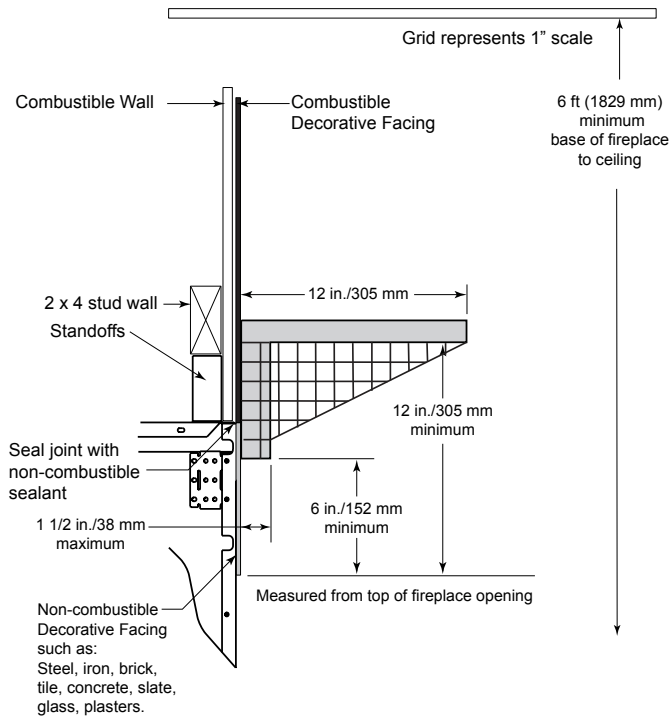


PRODUCT SPECIFICATIONS

BE42 Royalton Radiant Wood Burning Fireplace



MANTEL CLEARANCES



TECHNICAL SPECIFICATIONS

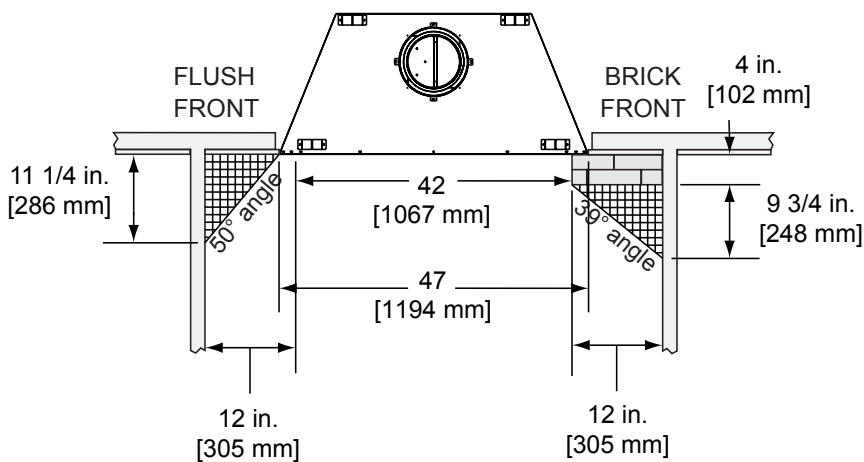
- Flue series: SL300 series pipe
- Flue size: 8" (203 mm) inner; 10½" (267 mm) outer
- Clearance to flue: 2" (51 mm)
- Firestop framing: 14½" x 14½" (368 mm x 368 mm)
15° - 14½" x 18¾" (368 mm x 467 mm)
30° - 14½" x 23" (368 mm x 584 mm)
- Minimum flue height: 13' (4 m)
- Maximum flue height: 90' (27.4 m)
- Minimum height with single offset/return: 14½' (4.4 m)
- Minimum height with double offset/return: 20' (6.1 m)
- Minimum hearth size: 20" D x 66" L (508 mm x 1676 mm)
- UL/ULC design certified

CLEARANCES

- Clearance to fireplace: 1/2" (13 mm) to sides and back
- Maximum mantel depth: 12" (305 mm) from top of fireplace opening
- Minimum mantel height: 6" (152 mm) from top of fireplace opening
- Adjacent combustible sidewalls: minimum 12" (305 mm) from fireplace opening
- Mantel leg, surround, stub wall, whether combustible or non-combustible may be constructed as shown in the second drawing.

SURROUND, STUB WALL, MANTEL LEG CLEARANCES

Grid represents 1" scale



A Brand of Vermont Castings Group
149 Cleveland Drive, Paris, Kentucky 40361
www.majesticproducts.com

To avoid personal injury or property damage, the product described by this brochure must be installed, operated and maintained in strict compliance with the instructions packaged with the product and all applicable building or fire codes. Contact local building or fire officials about restrictions and installation inspection requirements. All photographs and drawings on this brochure are for illustrative purposes only and are not intended for, nor should they be used as a substitute for the instructions packaged with the unit. Appearance and specifications of the product are subject to change without notice. © 2015 Vermont Castings Group 0415v1