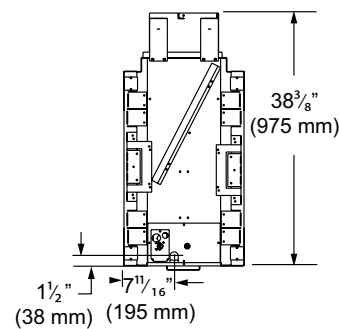
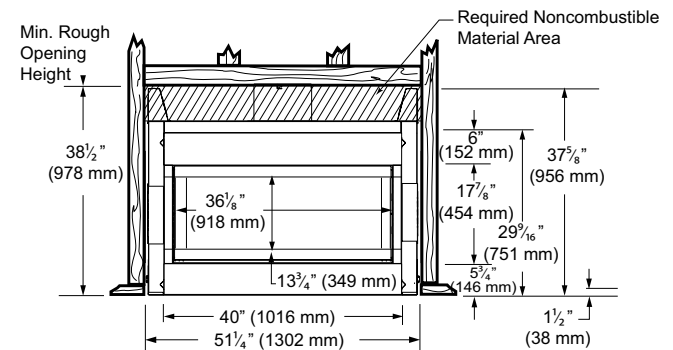
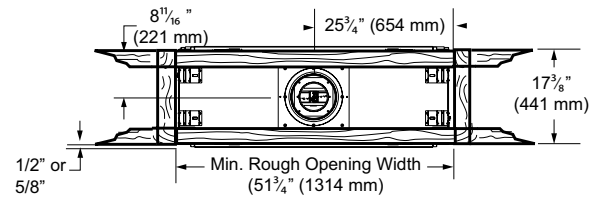


## PRODUCT SPECIFICATIONS

# WDVPST500 Echelon See-Through Direct Vent Fireplace System



## FRAMING DIMENSIONS



## ACTUAL DIMENSIONS

Actual size: 51 $\frac{1}{4}$ " W x 38 $\frac{3}{8}$ " H x 17 $\frac{3}{8}$ " D  
(1302 mm x 973 mm x 440 mm)

Viewing area: 36 $\frac{1}{8}$ " W x 13 $\frac{3}{4}$ " H  
(918 mm x 349 mm)

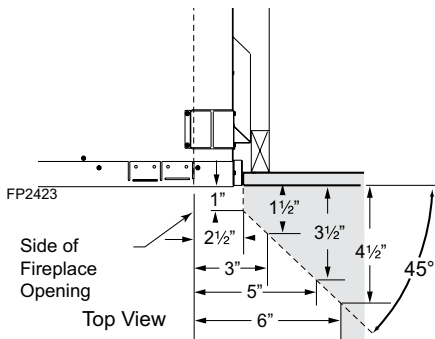
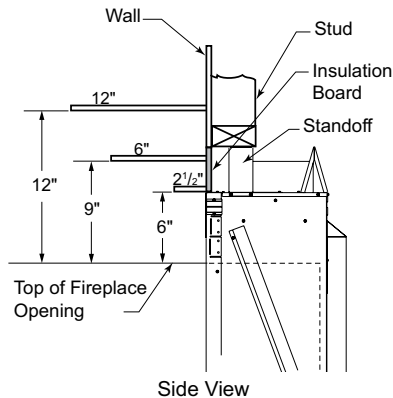
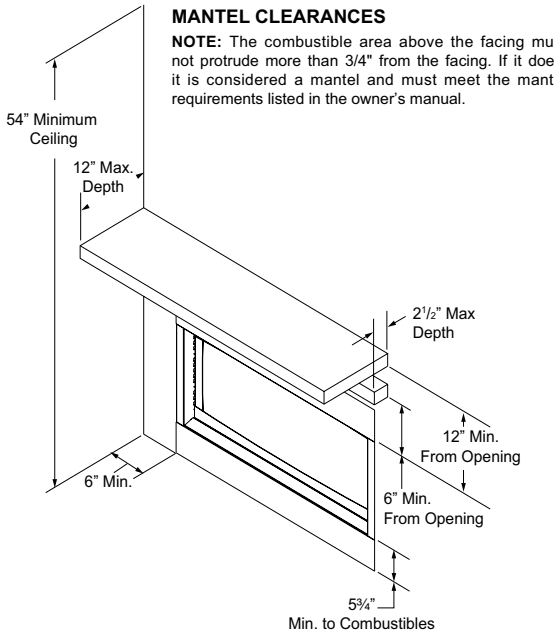
Framing Dimensions: 51 $\frac{1}{4}$ " W x 38 $\frac{1}{2}$ " H x 17 $\frac{3}{8}$ " D  
(1314 mm x 978 mm x 440 mm)

## FIELD INSTALLED ACCESSORIES

- Liner Kit: Black Porcelain Liner Kit (WDV500PBL)
- Trim Kits: Black Texture Inside Fit Trim Kit (WDV500TKB)
- Signature Command System Dual Forced Blowers (160 CFM) BLOTSTSC
- Contemporary Stainless Steel Face (WDV500CSS)
- Contemporary Textured Black face (WDV500FBT)
- Contemporary Iron Age Face (WDV500FIA)
- Outdoor Glass Framing Kit (WDV500SSDK)
- Aged Driftwood Log Set (ADW500)
- Glass options: Onyx, Diamond, Sapphire (unit requires 2 bags of glass)
- Safety Screen Barrier Included

## PRODUCT SPECIFICATIONS

# WDVPST500 Echelon See-Through Direct Vent Fireplace System



## TECHNICAL SPECIFICATIONS

Highly featured contemporary unit with compact design for ease of installation

Max. BTU Input: 34,000 BTU/hr NG; 33,000 BTU/hr LP

Ignition System: Signature Command System

Comes with TSFSC hand held remote

Gas Type: Natural or LP

Top venting only with 5 x 8 DVP (requires 12" rise before 90 degree elbow for horizontal runs)

18" flex line with On/Off shut-off valve included

Contemporary bronze glass and natural stone kit included

Ceramic glass door with quick latch system for easy access

Contemporary glass illumination light system

CSA Design Certified

## CLEARANCE TO FLUE

Minimum 3" (76mm) clearance to the top along horizontal length until flue penetrates outside wall

Minimum of 1" (25 mm) clearance to combustibles permitted at outside wall

## CLEARANCE TO COMBUSTIBLES

Fireplace: 0" clearance to standoffs on all sides

Floor of Unit to Ceiling: 54" (1372 mm) to combustibles

Firebox Opening to Wall: 6" (152 mm)

Hearth Requirement: 0"

## EFFICIENCY DATA

Thermal Efficiency: Up to 80%

AFUE Efficiency: Up to 80%

P4 Canada Efficiency: 61.0% (Nat) / 59.7% (LP)



149 Cleveland Drive, Paris, Kentucky 40361

[www.majesticproducts.com](http://www.majesticproducts.com)

To avoid personal injury or property damage, the product described by this brochure must be installed, operated and maintained in strict compliance with the instructions packaged with the product and all applicable building or fire codes. Contact local building or fire officials about restrictions and installation inspection requirements. All photographs and drawings on this brochure are for illustrative purposes only and are not intended for, nor should they be used as a substitute for the instructions packaged with the unit. Appearance and specifications of the product are subject to change without notice. ©2015 Hearth & Home Technologies 1115v2