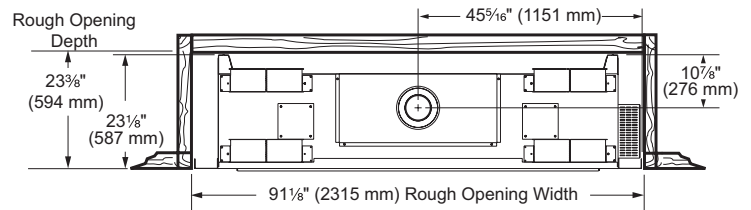


**PRODUCT SPECIFICATIONS**  
**VWDVP70NTSC Aura**  
**Direct Vent Gas Fireplace**



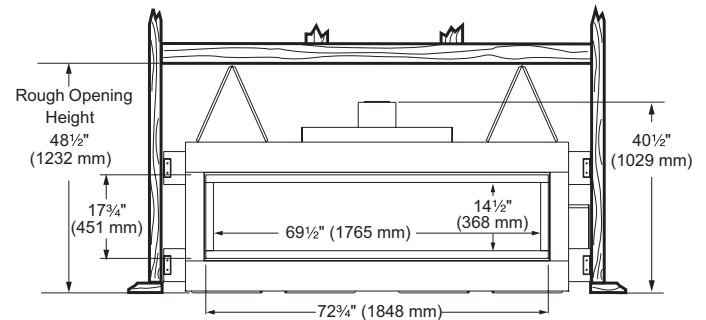
**DIMENSIONS**

- Glass Viewing Area: 69½" W x 14½" H, 1008 sq. in.  
 (1765 mm x 368 mm, 6504 cm<sup>2</sup>)
- Actual Dimensions: 72¾"W x 17¾"H x 23⅞"D  
 (1848 mm x 451 mm x 587 mm)
- Framing Dimensions: 91⅞"W x 48½"H x 23⅞"D  
 (2315 mm x 1232 mm x 594 mm)



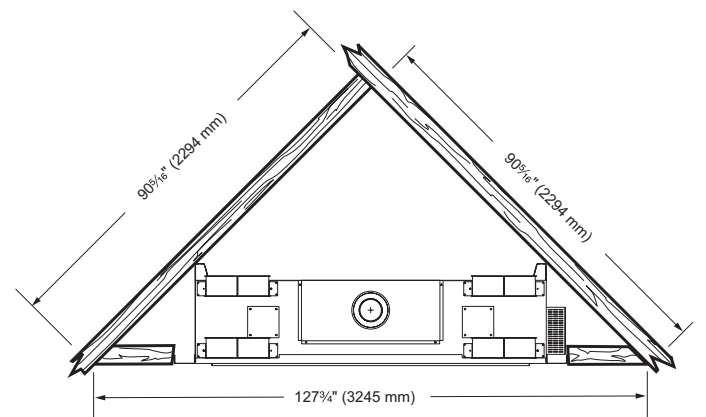
**STANDARD FEATURES**

- Crisp, sleek lines suit today's contemporary demand
- ClearView non-reflective ceramic glass appears nearly invisible
- Total Signature Command® System with touch screen remote (TSFSC)
- Comes standard with Onyx and Diamond fireglass, and stone kit
- Safety screen barrier included
- Black porcelain panels (required, order separately)
- Hidden side controls
- Included conversion kit easily converts from natural gas to liquid propane
- Floor illumination using standard halogen light bulbs
- Needs only single 5" x 8" DVP top vent termination kit
- Includes required non-combustible board
- Power Vent compatible (but not required for typical installations)



**FIELD INSTALLED ACCESSORIES**

- Three optional surrounds in Black Texture, Iron Age, or Stainless Steel
- Optional Black Texture inside trim kit for non-combustible wall finishes
- Optional driftwood log set
- Fireglass kit colors available in Sapphire, Bronze, Onyx, and Diamond



# PRODUCT SPECIFICATIONS

## VWDVP70NTSC Aura

### Direct Vent Gas Fireplace



#### TECHNICAL INFORMATION

BTU Input: 51,000 Max., 34,000 Min. (Nat) / 43,000 Max, 32,000 Min. (LP)  
 Ignition System: Total Signature Command® System  
 Gas Type: Natural Gas or Liquid Propane  
 Gas Line: 18" (473 mm) Flex line w/shut off 1/2" (12.7 mm) FPT  
 DVP Pipe: 5" x 8" (127 mm x 203 mm)  
 Flue Type: Dedicated top vent (requires 36" rise before 90 degree elbow for horizontal runs)  
 Switch Wiring: 15' (4.5 m) command center wire extension and cover plate (SCSWEK)  
 Design Certified: CSA

#### CLEARANCE AROUND FLUE

Horizontal: 3" (76 mm) all sides  
 Vertical: 3" (76 mm) all sides  
 Outside Wall: 1" (25 mm) all sides

#### CLEARANCE TO COMBUSTIBLES

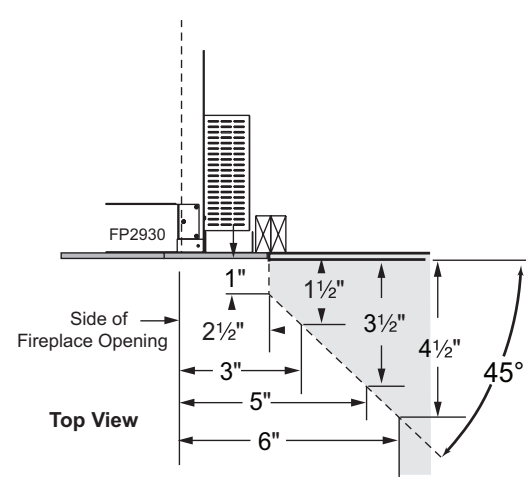
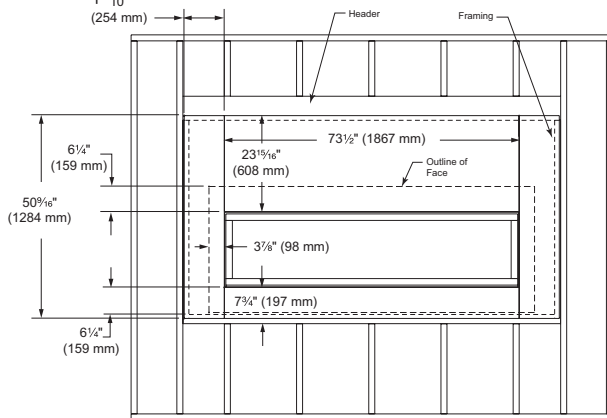
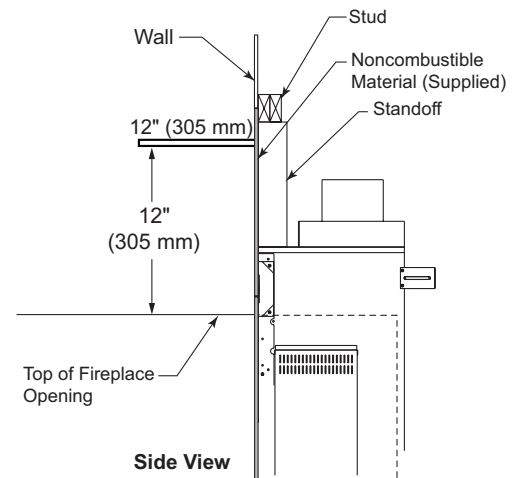
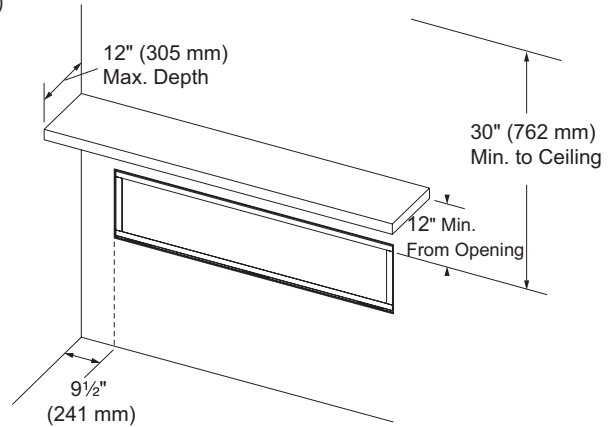
Fireplace: 0" Clearance to stand offs all sides  
 Top of unit to Ceiling: 30" (762 mm)  
 Firebox Opening to Wall: 9 1/2" (241 mm)  
 Hearth Requirement: 0" Clearance

#### EFFICIENCY DATA

Thermal Efficiency: Up to 80%  
 AFUE Efficiency: 71.4% (Nat) / 77.5% (LP)  
 P4 Canada Efficiency: 79.3% (Nat) / 79.8% (LP)

#### MANTEL CLEARANCES

Note: The combustible area above the facing must not protrude more than 3/4" from the facing. If it does, it is considered a mantel and must meet the mantel requirements listed in the owner's manual.



To avoid personal injury or property damage, the product described by this brochure must be installed, operated and maintained in strict compliance with the instructions packaged with the product and all applicable building or fire codes. Contact local building or fire officials about restrictions and installation inspection requirements. All photographs and drawings on this brochure are for illustrative purposes only and are not intended for, nor should they be used as a substitute for the instructions packaged with the unit. Appearance and specifications of the product are subject to change without notice. © 2015 Hearth & Home Technologies 1115 v2