

PRODUCT SPECIFICATIONS

KHLDVP600 Marquis Direct Vent Fireplace System



ACTUAL DIMENSIONS

Actual size: 55" W x 44⁷/₁₆" H x 24¹/₄" D
(1397 mm x 1129 mm x 616 mm)

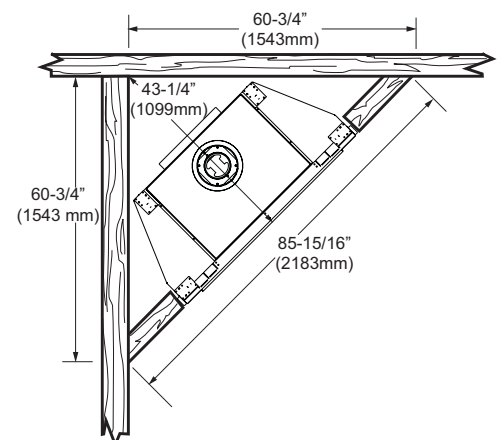
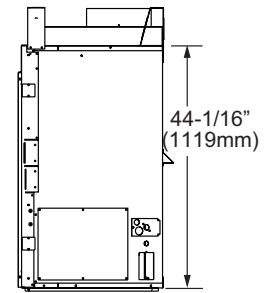
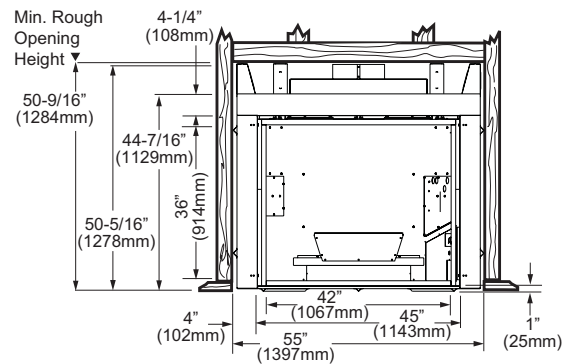
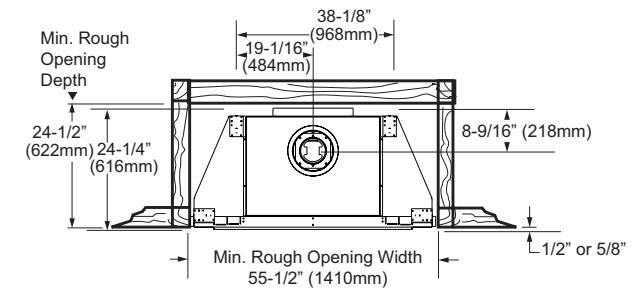
Viewing area: 42" W x 36" H
(1067 mm x 914 mm)

Framing Dimensions: 55¹/₂" W x 50⁹/₁₆" H x 24¹/₂" D
(1410 mm x 1284 mm x 622 mm)

FIELD INSTALLED ACCESSORIES

- Signature Command Dual Forced with Blower: BLOTKHLDVSC
- Firebrick (Required): Tavern Brown, Cottage Clay, Vintage Brown Herringbone, Olde English Herringbone
- Andirons
- Field Conversion Kits
- Safety Screen Barrier Included

FRAMING DIMENSIONS



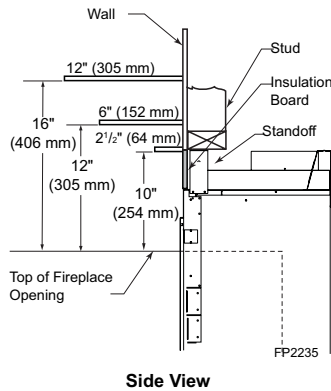
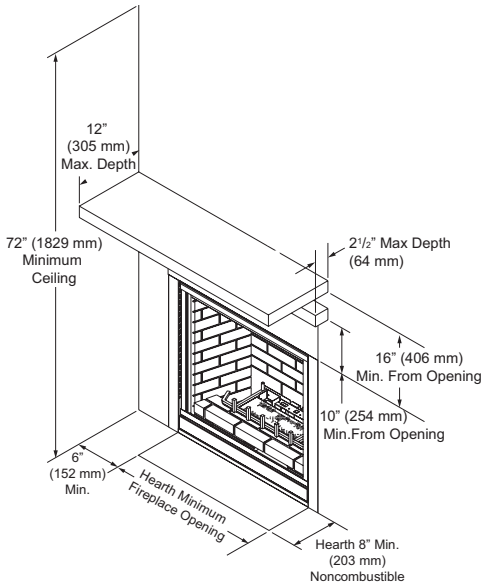
PRODUCT SPECIFICATIONS

KHLDVP600 Marquis Direct Vent Fireplace System

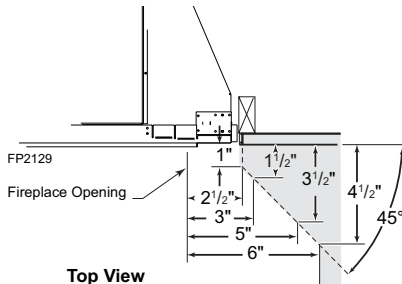


MANTEL CLEARANCES

NOTE: The combustibles area above the facing must not protrude more than 3/4" from the facing. If it does, it is considered a mantel and must meet the mantel requirements listed in the owner's manual.



Side View



Top View

TECHNICAL SPECIFICATIONS

Max. Btu Input: 60,000 BTU/HR NG: 57,000 BTU/HR LP

Ignition System: Signature Command™ System

Gas Type: Natural or LP

Flue Type: DVP

Termination: Top Vent

Clearance to Flue for Interior: 3" Top, 1" Bottom and Sides*

Clearance to Flue for Outside Wall: 1"

Clearance to Fireplace: 1"

Minimum Vent Height Before Elbow: 24"

CSA Design Certified

CLEARANCE TO FLUE

Minimum 4" (102mm) clearance to the top along horizontal length until flue penetrates outside wall*

Minimum of 1" (25 mm) clearance to combustibles permitted at outside wall

CLEARANCE TO COMBUSTIBLES

Fireplace: 0" clearance to standoffs on all sides

Floor of Unit to Ceiling: 72" (1.83 m) to combustibles

Firebox Opening to Wall: 6" (152mm)

Hearth Requirement: 0"

EFFICIENCY DATA

Thermal Efficiency: Up to 85%

AFUE Efficiency: 66% (Nat.) / 66% (LP)

P4 Canada Efficiency: 81% (Nat.) / 80% (LP)

*When vertical rise is 7 1/2' (2.29 m) or higher from base of unit, the horizontal vent clearance to combustibles is 1" (25 mm) on all sides.



149 Cleveland Drive, Paris, Kentucky 40361

www.majesticproducts.com

To avoid personal injury or property damage, the product described by this brochure must be installed, operated and maintained in strict compliance with the instructions packaged with the product and all applicable building or fire codes. Contact local building or fire officials about restrictions and installation inspection requirements. All photographs and drawings on this brochure are for illustrative purposes only and are not intended for, nor should they be used as a substitute for the instructions packaged with the unit. Appearance and specifications of the product are subject to change without notice. ©2015 Hearth & Home Technologies® 1115v2