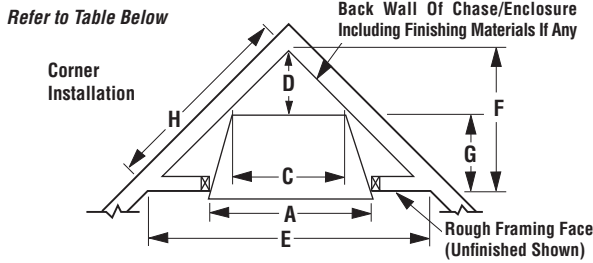


VRT2536, VRT3536 & VRT3542 SERIES

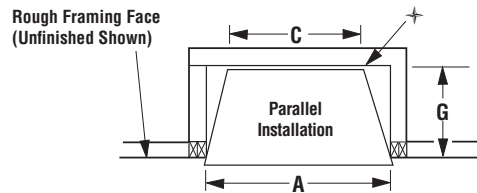
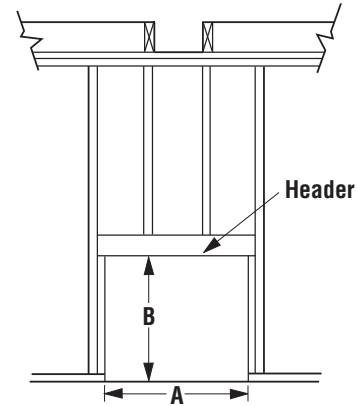
VENT-FREE FIREBOXES

Framing Dimensions

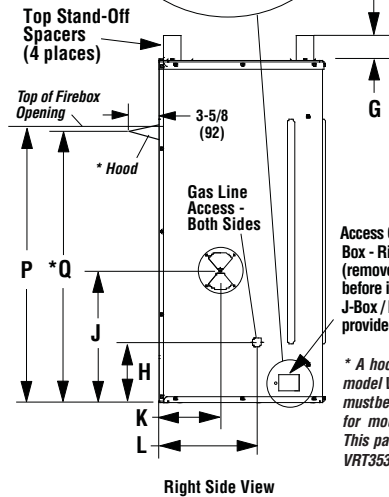
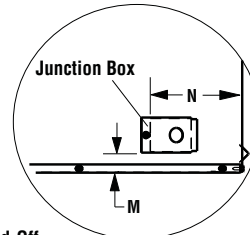
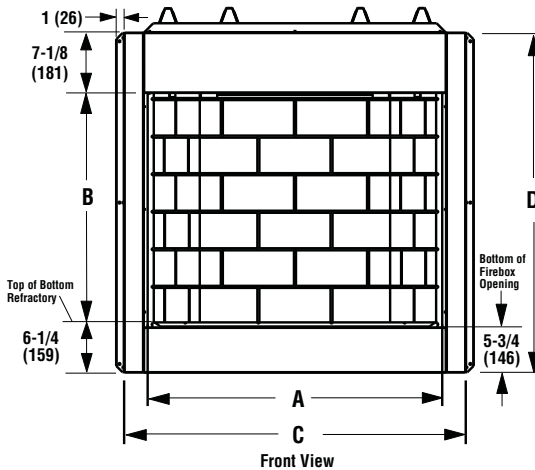
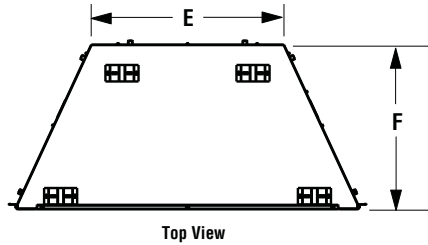


Dim.	VRT2536	VRT3536	VRT3542
A	42-1/4" (1073)	42-1/4" (1073)	48-1/4" (1226)
B	40-1/4" (1022)	44-1/4" (1124)	44-1/4" (1124)
C	23-5/8" (600)	23-5/8" (600)	29-5/8" (753)
D	11-1/4" (286)	11-1/4" (286)	14-1/4" (362)
E	63-1/2" (1613)	63-1/2" (1613)	69-1/2" (1765)
F	31-3/4" (807)	31-3/4" (807)	34-3/4" (883)
G	20-1/2" (521)	20-1/2" (521)	20-1/2" (521)
H	44-1/4" (1124)	44-1/4" (1124)	49-1/8" (1248)

✦ Back wall of chase/enclosure including finishing materials if any.



Fireplace Dimensions



Access Opening for Junction Box - Right Side Only (remove the knock-out before installing J-Box). J-Box / Electrical Kit is not provided with appliance.

* A hood comes standard and is required for model VRT2536WS. The factory-supplied hood must be installed on the firebox for safe operation for model VRT2536WS in all installations. This part is optional for models VRT3536WH, VRT3542WS & VRT3542WH.

Model No.	A	B	C	D	E	F	G	H	J	K	L	M	N	P	*Q
VRT2536	36 (914)	24 (610)	41-3/4 (1061)	37-1/4 (946)	23-1/2 (597)	20 (508)	3 (76)	7-3/8 (187)	15-7/8 (403)	7-1/2 (190)	12 (305)	1-3/8 (35)	5-1/2 (140)	30-3/8 (772)	29-5/8 (753)
VRT3536	36 (914)	28 (711)	41-3/4 (1061)	41-1/4 (1048)	23-1/2 (597)	20 (508)	3 (76)	8-3/8 (213)	15-7/8 (403)	7-1/2 (190)	12 (305)	1-3/8 (35)	5-1/2 (140)	34-3/8 (874)	33-5/8 (854)
VRT3542	42 (1067)	28 (711)	47-3/4 (1213)	41-1/4 (1048)	29-1/2 (749)	20 (508)	3 (76)	8-3/8 (213)	15-7/8 (403)	7-1/2 (190)	12 (305)	1-3/8 (35)	5-1/2 (140)	34-3/8 (874)	33-5/8 (854)

Diagrams, illustrations and photographs are not to scale. Consult installation instructions. Product designs, materials, dimensions, specifications, colors, and prices are subject to change or discontinuance without notice.

NOTE: DIAGRAMS & ILLUSTRATIONS ARE NOT TO SCALE.

VRT2536, VRT3536 & VRT3542 SERIES

Product Information

Cat. No.	Model	Ship. Weight (lbs)	Shipping Volume
F0322	VRT2536WS	150 lb.s	21.4 Cu. Ft.
F0298	VRT3536WS	180 lb.s	22.9 Cu. Ft.
F0299	VRT3536WH	180 lb.s	22.9 Cu. Ft.
F0300	VRT3542WS	207 lb.s	28.6 Cu. Ft.
F0301	VRT3542WH	207 lb.s	28.6 Cu. Ft.

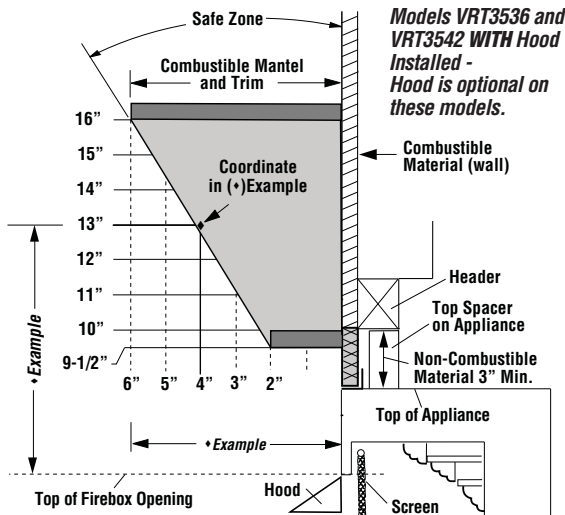
Listing Information



Report No. F14-168

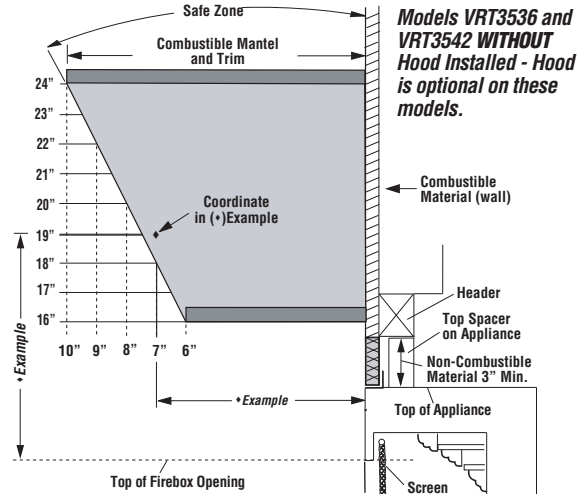
These appliances comply with National Safety Standards and are listed by PFS Corporation to ANSI Z21.91 Ventless Firebox Enclosures for Gas-Fired Unvented Decorative Room Heaters and is approved for use with appliances listed to ANSI Z21.11.2 decorative type unvented room heaters.

Mantels - WITH Hood



Models VRT3536 and VRT3542 WITH Hood Installed - Hood is optional on these models.

Mantels - WITHOUT Hood



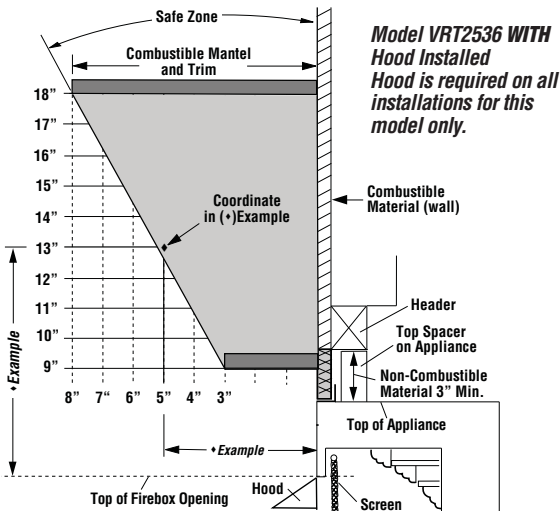
Models VRT3536 and VRT3542 WITHOUT Hood Installed - Hood is optional on these models.

♦EXAMPLE: If you choose to install a mantel that projects 4", you will need to install it so that the bottom of the mantel and trim is approximately 13" or more above Firebox opening (see coordinate in shaded area above).

♦EXAMPLE: If you choose to install a mantel that projects 7", you will need to install it so that the bottom of the mantel and trim is approximately 19" or more above Firebox opening (see coordinate in shaded area above).

Clearances

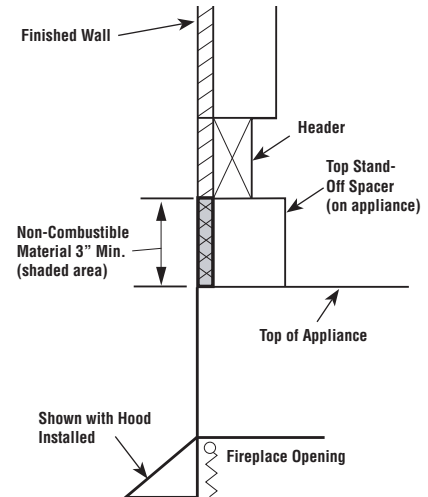
Mantels - WITH Required Hood



Model VRT2536 WITH Hood Installed Hood is required on all installations for this model only.

♦EXAMPLE: If you choose to install a mantel that projects 5", you will need to install it so that the bottom of the mantel and trim is approximately 13" or more above Firebox opening (see coordinate in shaded area above).

Wall Above Appliance



Side Wall and Ceiling

