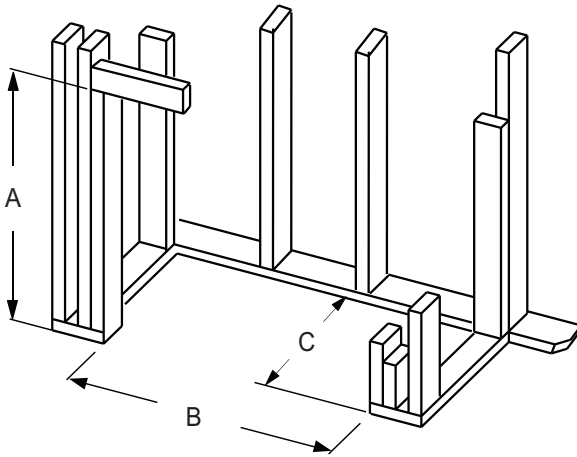


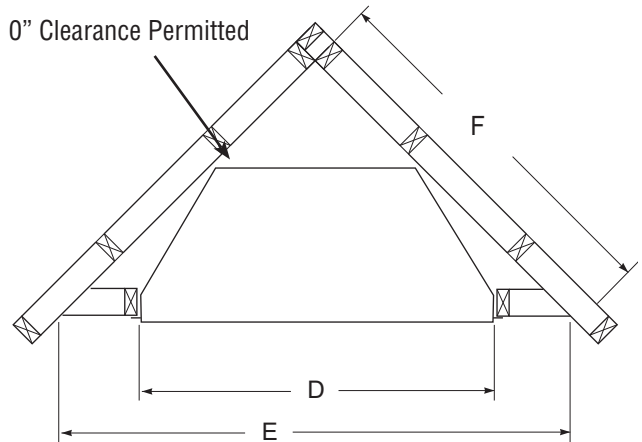
VRT3032 AND VCT3032

VENT-FREE FIREPLACES

Framing Dimensions



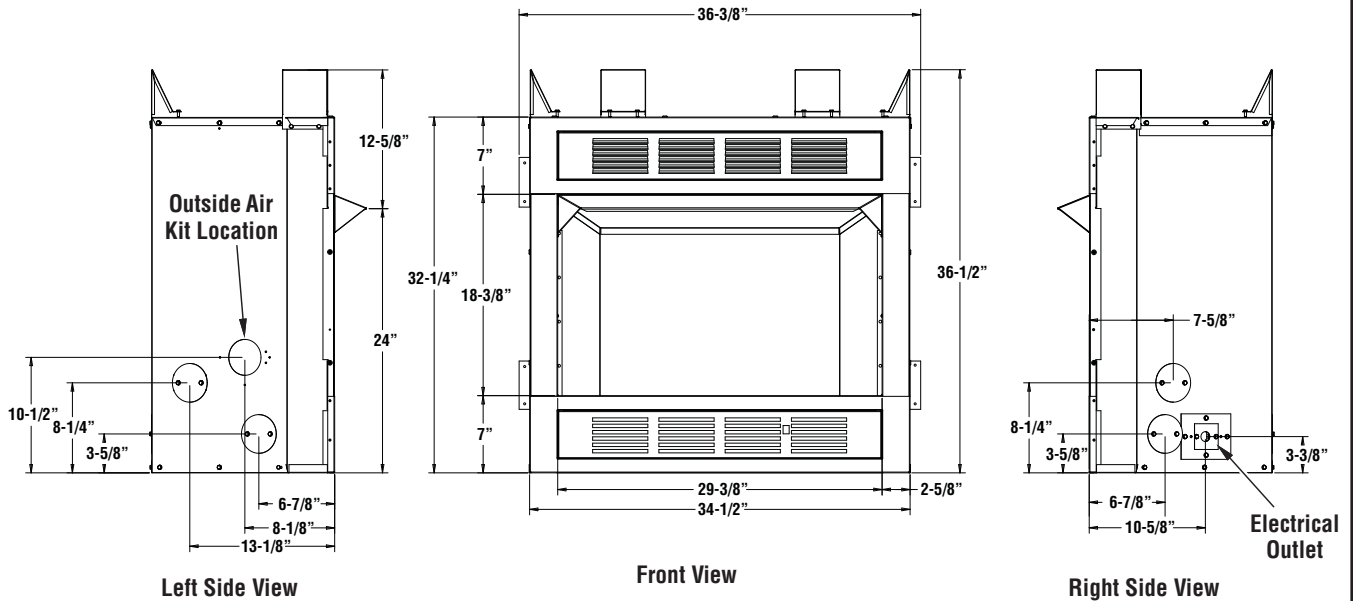
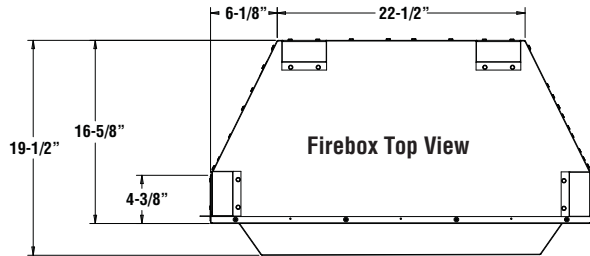
0" Clearance Permitted



Models	A	B	C
32" Models	36-5/8" 931 mm	34-1/2" 877 mm	16-5/8" 423 mm

Models	D	E	F
32" Models	34-1/2" 876 mm	55-5/8" 1413 mm	39-3/8" 1000 mm

Fireplace Dimensions



Diagrams, illustrations and photographs are not to scale. Consult installation instructions. Product designs, materials, dimensions, specifications, colors, and prices are subject to change or discontinuance without notice.

NOTE: DIAGRAMS & ILLUSTRATIONS ARE NOT TO SCALE.

VRT3032 AND VCT3032

Product Information

Cat. #	Model	Type	Interior	Weight	Cu. Ft.
F0302	VRT3032B	Radiant	Black	104 lb.	15.9
F0303	VCT3032B	Louver	Black	104 lb.	15.9
F0308	VRT3032WS	Radiant	WS Refractory	104 lb.	15.9
F0309	VCT3032WS	Louver	WS Refractory	104 lb.	15.9

Listing Information

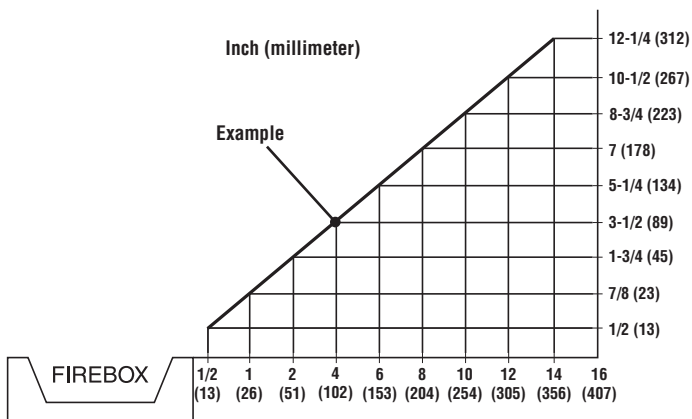
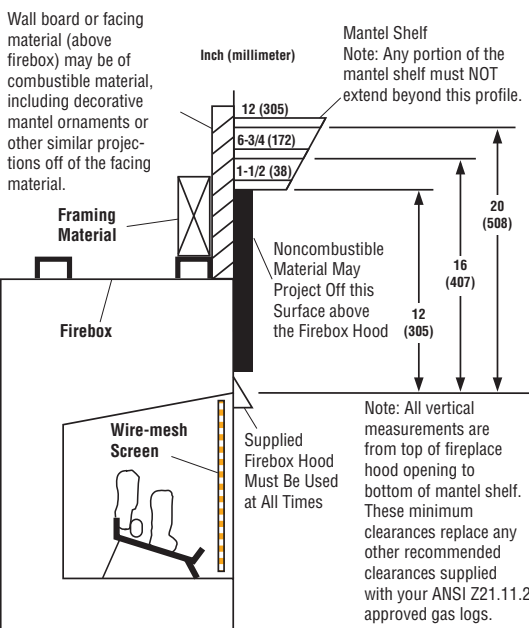


Report No. F12-020

These appliances comply with National Safety Standards and are listed by PFS Corporation to ANSI Z21.91 Ventless Firebox Enclosures for Gas-Fired Unvented Decorative Room Heaters and is approved for use with appliances listed to ANSI Z21.11.2 decorative type unvented room heaters.

Clearances

Mantel Clearance

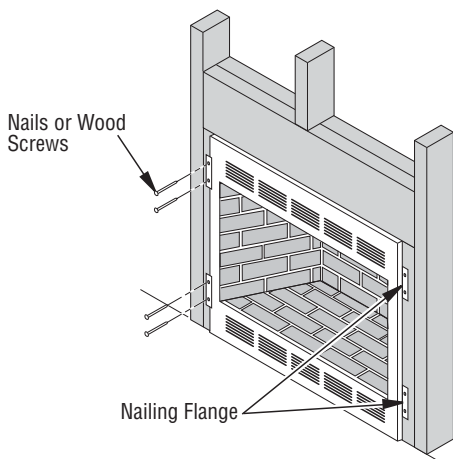


Minimum Wall and Ceiling Clearances

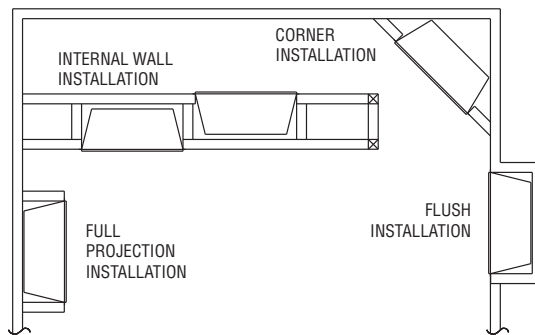
- Clearances from the side of the fireplace cabinet to any combustible material and wall should follow diagram shown here.
Example: The face of a mantel, bookshelf, etc. is made of combustible material and protrudes 3-1/2" from the wall. This combustible material must be 4" from the side of the fireplace cabinet.
- Clearances from the top of the firebox opening to the ceiling should not be less than 42".
- When the firebox is installed directly on carpeting, vinyl tile or other combustible material, other than wood flooring, the firebox should be installed on a metal or wood panel extending the full width and depth of the enclosure.
- Clearances from the bottom of firebox to the floor is 0".

Mantel from Top of Opening	→	Mantel Depth Allowed
12" (305 mm)	→	1-1/2" (38 mm) max.
16" (407 mm)	→	6-3/4" (172 mm) max.
20" (508 mm)	→	12" (305 mm) max.

Nailing Flanges



Typical Locations



NOTE: DIAGRAMS & ILLUSTRATIONS ARE NOT TO SCALE.

Specifications and clearances are subject to change without notice. Refer to Installation and Operation Manual before installation of these appliances for updated dimensions and instructions.